

BALLARD HIGH SCHOOL 2018

PROJECT: BUILDING A	
DESCRIPTION: BALLARD BOMBER	
DATE: 2018	SEE: 526 STUDENTS



Bombers were first introduced in 1912 during the Italo-Turkish War. In 1934, the Army Air Corps purchased its first strategic bomber, the Y1B-17. For generations, men and women have answered their nation's call by serving in the military, working in industry and devoting their skills, ingenuity and passion to a mission. Bombers and bombardiers improved military fighting efforts and wrote their own history.

While this is not a history book, it does tell the history of this past year and looks at what it takes to be a Ballard Bomber. Since 1957 when the communities of Cambridge, Huxley, Kelley and Slater came together to form

Ballard, classes of Bombers have been navigating their way to legendary status.

Much like bomber planes with advanced features, Ballard Bombers took advantage of special missions, capitalized on better visibility and aimed at precise targets throughout the 2017-2018 school year. Together, Ballard Bombers have reached higher altitudes and accelerated to faster speeds. From academics and athletics to clubs and student life, we are writing our own history in

BUILDING A BALLARD BOMBER

2018 EDITION

Ballard High School
701 Ballard Drive
Huxley, Iowa 50124
www.ballard.k12.ia.us

PHOTO LEGEND

All photos in this book outlined in the following are courtesy of:

- Raub Photography
- Missy Miller Photography

105 TRAINING UNITS
CLUBS & ORGANIZATIONS

BETTER VISIBILITY
ACADEMICS 27

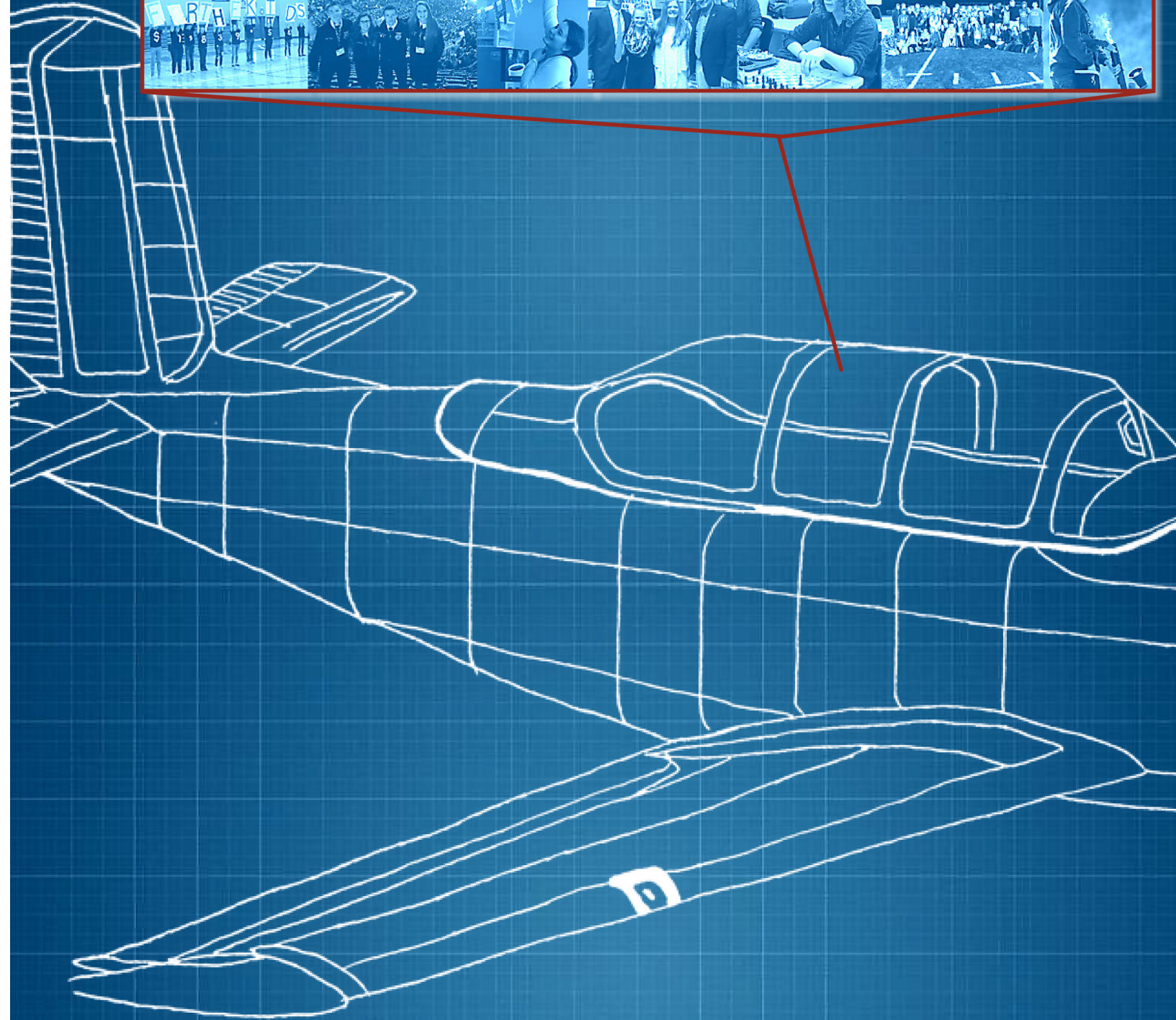
119 LEGENDARY STATUS
GRADUATION

SPECIAL MISSIONS
STUDENT LIFE 39

59 IMPROVED TARGETS
ATHLETICS

PROJECT: BUILDING A BALLARD BOMBER	PAGE: 3
DESCRIPTION: BALLARD HS	
DATE: 2018	SECTION: TABLE OF CONTENTS

60 STUDENT COUNCIL 70 ART CLUB 80 SERVICE LEARNING 94 MODEL UN 94 FCA
68 FFA 72 BOOK CLUB 82 HISTORY CLUB 98 CHESS CLUB 98 TRAPSHOOTING



PROJECT: BUILDING A BALLARD BOMBER	PAGE: 105
DESCRIPTION: TRAINING UNITS	
DATE: 2018	SECTION: CLUBS & ORGS